

# USB-1808 Series

High-Speed, High-Precision, Simultaneous USB Devices



USB-1808 Series devices provide eight simultaneously-sampling analog inputs that are configurable per channel as differential or single-ended, two analog outputs, four digital I/O, two general-purpose counters, two quadrature encoders, and two timer outputs.

## Overview

USB-1808 Series devices are high-performance, simultaneous-sampling DAQ devices. All devices provide synchronous and concurrent voltage I/O, waveform output, counter input, quadrature encoder input, timer output, and digital I/O.

USB-1808X models offer synchronous I/O operations at rates up to 200 kS/s per channel, while USB-1808 models offer the same features at rates up to 50 kS/s per channel.

## Analog Input

USB-1808 Series devices provide eight, 18-bit simultaneous-sampling analog inputs that are software-selectable per channel for DIFF or SE mode.

USB-1808X models support sample rates up to 200 kS/s per channel, while USB-1808 models support sample rates up to 50 kS/s per channel. All devices support voltage ranges of  $\pm 10$  V,  $\pm 5$  V, 0 V to 10 V, and 0 V to 5 V.

## Channel-Gain Queue

Use the channel-gain queue feature to configure a list of channels and gains for each scan. Each channel can have a different gain setting, and the settings are stored in a list that is written to local memory on the device.

The channel-gain queue list on USB-1808 Series devices can contain up to eight unique channels that must be listed in increasing order.

## Features

- Eight 18-bit differential (DIFF) or single-ended (SE) analog inputs
- Simultaneous sampling (up to 200 kS/s per channel)
- Two analog outputs
- Four digital I/O
- Two general-purpose counters and two quadrature encoders
- Two timer outputs
- Synchronous AI, AO, DIO operations (up to 200 kS/s per channel)
- External clock I/O, external digital triggering, and pattern triggering
- Board-only OEM versions available

## Supported Operating Systems

- Windows® 10/8/7/Vista®/XP 32/64-bit

## Analog Output

USB-1808 Series devices offer two 16-bit analog outputs. USB-1808X models can be updated at a rate of 500 kS/s per channel, while USB-1808 models can be updated at a rate of 125 kS/s. The output range is fixed at  $\pm 10$  V.

## Digital I/O

Four digital I/O lines are individually configurable for input or output. The DIO terminals can detect the state of any TTL-level input. Users can configure for pull-up (+5 V) or pull-down (0 V) with an onboard jumper.

USB-1808 Series Selection Chart

Model	Analog Inputs	Sample Rate (max/channel)	Analog Outputs	Update Rate (max/channel)	Digital I/O	Counter Inputs	Encoder Inputs	Timer Outputs	Signal I/O
USB-1808	8 DIFF/8 SE	50 kS/s	2	125 kS/s	4	2	2	2	Screw Terminal
USB-1808X	8 DIFF/8 SE	200 kS/s	2	500 kS/s	4	2	2	2	Screw Terminal
USB-1808-OEM	8 DIFF/8 SE	50 kS/s	2	125 kS/s	4	2	2	2	Header
USB-1808X-OEM	8 DIFF/8 SE	200 kS/s	2	500 kS/s	4	2	2	2	Header

# USB-1808 Series

## Features



### Counter Input

USB-1808 Series devices have two 32-bit general-purpose counter inputs that can be read asynchronously under program control, or synchronously as part of a digital scan group.

Each counter can accept frequency inputs up to 50 MHz and supports the following software-selectable counter input modes:

- **Totalize** – High-speed pulse counter for general counting applications. The internal counter increments when the TTL levels transition from low to high or from high to low.
- **Period measurement** – Measure the period of a signal at a counter channel input. Users can measure x1, x10, x100 or x1000 periods for 32-bit values. Four resolutions are available — 20 ns, 200 ns, 2000 ns, or 20,000 ns
- **Pulse-width measurement** – Measure the time from the rising edge to the falling edge, or vice versa, on a signal on a counter input. Four resolutions are available — 20 ns, 200 ns, 2000 ns, or 20,000 ns.

Each mode supports additional counter options. When counter options are set, the counters can concurrently monitor time periods, frequencies, pulses, and other event-driven incremental occurrences directly from pulse-generators, limit switches, proximity switches, and magnetic pick-ups.

### Quadrature Encoder Input

USB-1808 Series devices can simultaneously decode signals from up to two quadrature encoders. Encoders with a 50 MHz maximum pulse frequency and X1, X2, and X4 count modes are supported.

Each device provides A, B, and Z inputs for each connected encoder. A typical encoder generates the A and B signals at a 90° phase shift with respect to each other. These signals are used to determine system position (counts), velocity (counts per second), and direction of travel or rotation.

### Timer Output

Two PWM timers generate programmable width pulses of up to 100 MHz. The timer output rate and pulse width can be updated asynchronously at any time; however, doing so results in a pulse stream that is not seamless.

Timer output operations can be paced by the internal clock or by an external clock, and can be initiated by a digital trigger.

### Synchronous I/O – Mixing Analog, Digital, and Counter Scanning

USB-1808 Series devices can read analog, digital, counter, and encoder inputs, and generate up to two analog outputs and one digital pattern output at the same time. Digital, counter, and encoder inputs do not affect the overall A/D rate because these inputs use no time slot in the scanning sequencer.

For example, one analog input channel can be scanned at the maximum A/D rate along with digital, counter, and encoder input channels.

Each analog channel can have a different gain, and digital, counter, and encoder channels do not need additional scanning bandwidth as long as there is at least one analog channel in the scan group.

Digital input channel sampling is done during the dead time of the scan period when no analog sampling is being done.

### Clock I/O

USB-1808 Series devices provides two external clock inputs – one for pacing input scan and the other to pace output scans.

These devices also include two clock outputs – one to output the internal or external clock used for input scans, and the other to output the internal or external clock used for output scans.

### Triggering

USB-1808 Series devices support digital triggering and pattern triggering.

The ITRIG and OTRIG pins are used for external TTL-level triggering – ITRIG can trigger input scans, and OTRIG can trigger output scans. The trigger mode is software-selectable for edge or level sensitive, rising or falling edge, high or low level.

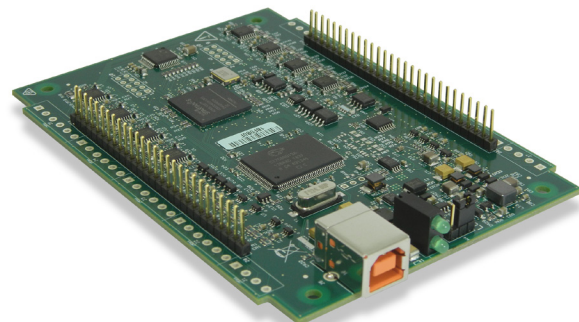
USB-1808 Series devices can also start an input or output scan with a digital pattern trigger using any of the four DIO ports. A scan is triggered when a specified pattern is detected. Specific bits can be masked or ignored. A digital pattern can be input or output under the timing control of a clock signal.

### Calibration

The USB-1808 Series devices are factory-calibrated using a NIST-traceable calibration process. Specifications are guaranteed for one year. For calibration beyond one year, return the device to the factory for recalibration.

### USB-1808 Series OEM Versions

OEM versions have board-only form factors with header connectors for OEM and embedded applications (no case, CD, or USB cable included). All devices can be further customized to meet customer needs.



*The OEM versions have the same specifications as the standard devices, but come in a board-only form factor with header connectors instead of screw terminals.*

# USB-1808 Series

## Software



### Software Support

USB-1808 Series devices are supported by the software in the table below.

#### Ready-to-Run Applications

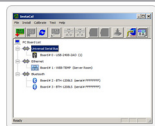
[DAQami™](#)



Data acquisition companion software with drag-and-drop interface that is used to acquire, view, and log data, and generate signals. DAQami can be configured to log analog, digital, and counter channels, and to view that data in real-time or post-acquisition on user-configurable displays. Logged data can be exported for use in Excel® or MATLAB®. Windows OS

DAQami is included with the free MCC DAQ Software bundle (CD/download). Install DAQami and try the fully-functional software for 30 days. After 30 days, all features except for data logging and data export will continue to be available – data logging and data export features can be unlocked by purchasing the software.

[InstaCal™](#)



An interactive installation, configuration, and test utility for MCC hardware. Windows OS

InstaCal is included with the free MCC DAQ Software bundle (CD/download).

[TracerDAQ™](#) and  
[TracerDAQ Pro](#)



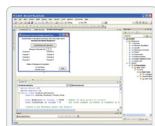
Virtual strip chart, oscilloscope, function generator, and rate generator applications used to generate, acquire, analyze, display, and export data. Supported features may vary by hardware. The Pro version provides enhanced features. Windows OS

TracerDAQ is included with the free MCC DAQ Software bundle (CD/download).

TracerDAQ Pro is available as a purchased software download.

#### General-Purpose Programming Support

[Universal Library™  
\(UL\)](#)



Library for developing applications in C, C++, VB, C# .Net, VB .Net, and Python. Windows OS

The UL is included with the free MCC DAQ Software bundle (CD/download).

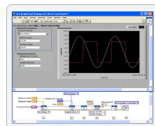
[Linux® driver](#)



Open-source Linux drivers are available for most MCC devices. Example programs are also provided.

#### Application-Specific Programming Support

[ULx for  
NI LabVIEW™](#)



A comprehensive library of VIs and example programs for NI LabVIEW that is used to develop custom applications that interact with most MCC devices. Windows OS

ULx for NI LabVIEW is included with the free MCC DAQ Software bundle (CD/download).

[DASYLab®](#)

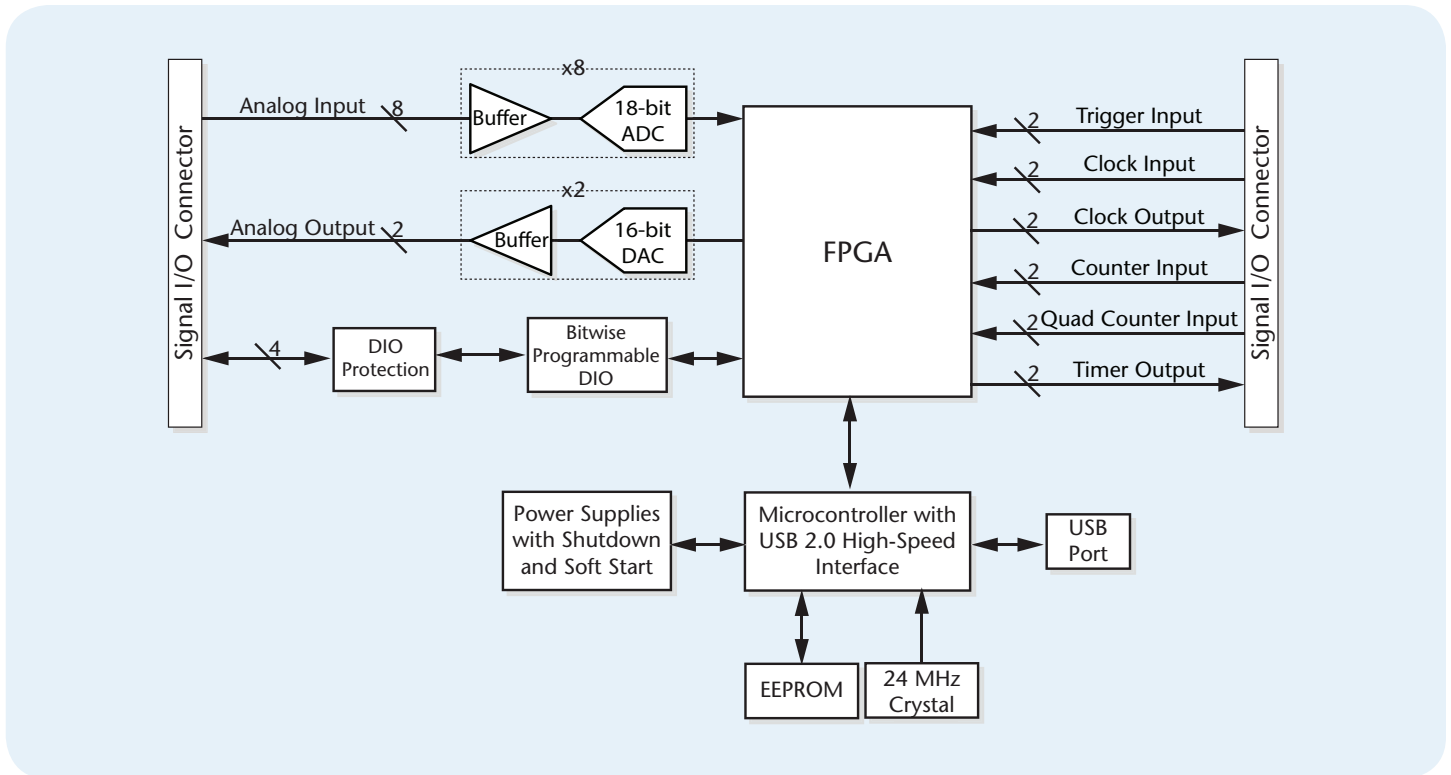


Icon-based data acquisition, graphics, control, and analysis software that allows users to create complex applications in minimal time without text-based programming. Windows OS

DASYLab is available as a purchased software download. An evaluation version is available for 28 days.

# USB-1808 Series

## Specifications



## Specifications

These specifications apply to both standard and OEM versions unless noted. All specifications are subject to change without notice. Typical for 25 °C unless otherwise specified.

### Analog Input

A/D converter type: Simultaneous  
 ADC resolution: 18 bits  
 Number of channels: 8 differential (DIFF), 8 single-ended (SE); software-selectable per-channel for SE or DIFF  
 Input voltage range:  $\pm 10$  V,  $\pm 5$  V, 0 V to 10 V, 0 V to 5 V; software-selectable per channel  
 Absolute max input voltage (CHx relative to AGND):  $\pm 25$  V max (power on);  $\pm 15$  V max (power off)  
 Input impedance:  $>1$  G $\Omega$  (power on); 1000  $\Omega$  (power off)  
 Input bias current:  $\pm 50$  pA  
 Input bandwidth, all input ranges, small signal ( $-3$  dB): 2.0 MHz  
 Input capacitance: 50 pF

### Common mode voltage range

$\pm 10$  V range:  $\pm 10.1$  V  
 $\pm 5$  V range:  $\pm 10.1$  V  
 0 V to 10 V range:  $\pm 10.1$  V  
 0 V to 5 V range:  $\pm 10.1$  V

### Common mode rejection ratio ( $f_{IN} \leq 1$ kHz, all input ranges): 90 dB

Crosstalk ( $\pm 10$  V, adjacent channels, DC to 100 kHz):  $-95$  dB

Input coupling: DC

### Sample rate

USB-1808: 0.023 Hz to 50 kHz; software-selectable

USB-1808X: 0.023 Hz to 200 kHz; software-selectable

Scan clock source: Internal input scan clock or external input scan clock (ICLKI pin)

### Trigger source

ITRIG (see [External Trigger](#) on page 6)

Digital pattern detection (see [Pattern Trigger](#) on page 6)

Channel gain queue (up to 8 elements): Software-selectable. Queue list may contain up to eight elements of unique, consecutive channels paired with any valid range.

Warm-up time: 15 minutes min

Analog Input DC Voltage Measurement Accuracy (All Values are  $\pm$ )

Range	Gain Error (% of Reading)	Offset Error (mV)	INL Error (% of range)	Absolute Accuracy at Full Scale (mV)	Gain Temperature Coefficient (% reading/ $^{\circ}$ C)	Offset Temperature Coefficient ( $\mu$ V/ $^{\circ}$ C)
$\pm 10$ V	0.020	1.5	0.00076	3.576	0.00023	4
$\pm 5$ V	0.020	1.0	0.00057	2.028	0.00023	4
0 V to 10 V	0.020	1.5	0.00028	3.528	0.00023	4
0 V to 5 V	0.020	1.0	0.00014	2.007	0.00023	4

# USB-1808 Series

## Specifications



### Dynamic Performance

#### ±10 V range

Signal-to-noise ratio (SNR): 94 dB  
Signal-to-noise-and-distortion ratio (SINAD): 94 dB  
Total harmonic distortion (THD): -108 dB  
Spurious free dynamic range (SFDR): 112 dB  
Effective number of bits (ENOB): 15.3 bits

#### ±5 V range

SNR: 91 dB  
SINAD: 91 dB  
THD: -105 dB  
SFDR: 107 dB  
ENOB: 14.8 bits

#### 0 V to 10 V range

SNR: 87 dB  
SINAD: 87 dB  
THD: -104 dB  
SFDR: 109 dB  
ENOB: 14.5 bits

#### 0 V to 5 V range

SNR: 83 dB  
SINAD: 83 dB  
THD: -103 dB  
SFDR: 103 dB  
ENOB: 13.6 bits

### Noise Performance

For the peak-to-peak noise distribution test, a differential input channel is connected to AGND at the input terminal block, and 32,000 samples are acquired at the maximum rate available at each setting.

Range	Counts	LSBrms
±10 V	11.6	1.77
±5 V	18.0	2.73
0 V to 10 V	23.3	3.54
0 V to 5 V	36.1	5.47

### Analog Output

Number of channels: 2

Resolution: 16 bits

Output ranges (calibrated): ±10 V

Output transient

Host computer is reset, powered on, suspended, or a reset command is issued to the device

Duration: 5 ms

Amplitude: 2 V p-p

Powered off from 0 V output

Duration: 20 ms

Amplitude: 5 V p-p

Differential nonlinearity: ±0.25 LSB typ, ±1 LSB max

Output current (AOUTx pins): ±3.5 mA max

Output short-circuit protection (single AOUTx channel connected to AGND): Unlimited duration

Output coupling: DC

Power on and reset state (DACs cleared to zero-scale): 0 V, ±50 mV

Output noise: 100 µVrms

Trigger source

OTRIG (see [External Trigger](#) on page 6)

Digital pattern detection (see [Pattern Trigger](#) on page 6)

Scan clock source: Internal output scan clock or external output scan clock (OCLKI pin)

Output update rate

USB-1808: 0.023 Hz to 125 kHz per channel

USB-1808X: 0.023 Hz to 500 kHz per channel

Slew rate: 15 V/µs

Throughput

Software paced: 33 S/s to 8,000 S/s typ, system-dependent

Hardware paced

USB-1808: 250 kS/s max, system-dependent

USB-1808X: 1,000 kS/s max, system-dependent

### Calibrated Absolute Accuracy

±10 V range: ±16 LSB

### Calibrated Absolute Accuracy Components

Range: ±10 V

% of reading: 0.0183

Offset: ±1.831 mV

Offset tempco: ±4.7 µV/°C

Gain tempco: 9.4 ppm of range/°C

### Relative Accuracy (±LSB)

±10 V range: 1.0 INL

### Analog Input/Output Calibration

Warm-up time: 15 minutes recommended min

Calibration method: Factory calibration

Calibration interval: 1 year

### Digital Input/Output

Digital type: CMOS

Number of I/O: 4

Configuration: Each bit may be configured as input (power on default) or output

Pull-up configuration: The port has 47 kΩ resistors configurable as pull-up or pull-down (default) via internal jumper (DIO).

Digital I/O transfer rate (system paced, asynchronous): 33 to 8,000 port reads/writes or single bit reads/writes per second typ, system dependent.

Digital I/O transfer rate (synchronous)

USB-1808: 0.023 Hz to 50 kHz input, 125 kHz output, based on the internal clock speed of 100 MHz

USB-1808X: 0.023 Hz to 200 kHz input, 500 kHz output, based on the internal clock speed of 100 MHz

Scan clock source for input: Internal input scan clock or external input scan clock (ICLKI pin)

Scan clock source for output: Internal output scan clock or external output scan clock (OCLKI pin)

Trigger source

ITRIG for inputs, OTRIG for outputs (see [External Trigger](#) on page 6)

Digital pattern detection (see [Pattern Trigger](#) on page 6)

Input high voltage: 2.0 V min, 5.5 V absolute max

Input low voltage: 0.8 V max, -0.5 V absolute min, 0 V recommended min

Output high voltage: 4.4 V min (IOH = -50 µA), 3.76 V min (IOH = -2.5 mA)

Output low voltage: 0.1 V max (IOL = 50 µA), 0.44 V max (IOL = 2.5 mA)

Output current: ±2.5 mA max

### Counter

Terminal names: CTR0, CTR1

Number of channels: 2 channels

Resolution: 32-bit

Counter type: FPGA

Counter input modes: Totalize, Pulse width, Period

Input type: Schmitt trigger, 33 Ω series resistor, 47 kΩ pull-down to ground

Input source: CTR0, CTR1

Scan clock source: Internal input scan clock or external input scan clock (ICLKI pin)

Trigger source

ITRIG (see [External Trigger](#) on page 6)

Digital pattern detection (see [Pattern Trigger](#) on page 6)

Counter read clock: Internal or external input scan clock up to 200 kHz

Period/pulse width resolution: 20 ns, 200 ns, 2 µs or 20 µs; software-selectable

Input high voltage: 2.2 V min, 5.5 V max

Input low voltage: 1.5 V max, -0.5 V min

Schmitt trigger hysteresis: 0.4 V min, 1.2 V max

Input frequency: 50 MHz, max

Schmitt trigger hysteresis: 0.76 V typ, 0.4 V min, 1.2 V max

Input high voltage threshold: 1.74 V typ, 1.3 V min, 2.2 V max

Input low voltage threshold: 0.98 V typ, 0.6 V min, 1.5 V max

Input low voltage limit: -0.5 V absolute min, 0 V recommended min

### Quadrature Inputs

Terminal names: ENCOA, ENCOB, ENCOZ; ENC1A, ENC1B, ENC1Z

Number of encoders: 2

Signals per encoder: A, B and Z

Resolution: 20 ns

Maximum frequency: 50 MHz

Minimum pulse width: 10 ns

De-bounce function: None

Scan clock source: Internal input scan clock or external input scan clock (ICLKI pin)

Trigger source

ITRIG (see [External Trigger](#) on page 6)

Digital pattern detection (see [Pattern Trigger](#) on page 6)

Input high voltage: 2.2 V min, 5.5 V max

Input low voltage: 1.5 V max, -0.5 V min

Absolute maximum input voltage: 5.5 V

# USB-1808 Series

## Ordering



### Timer

**Terminal name:** TMR0, TMR1

**Timer type:** PWM output with count, period, delay, and pulse width registers

**Output value:** Default state is idle low with pulses high, software-selectable output invert

**Trigger source:** OTRIG (see [External Trigger](#) on page 6)

**Internal clock frequency:** 100 MHz

**Register widths:** 32-bit

**High pulse width:** 10 ns min

**Low pulse width:** 10 ns min

**Output high voltage:** 4.4 V min (IOH = -50  $\mu$ A), 3.76 V min (IOH = -2.5 mA)

**Output low voltage:** 0.1 V max (IOL = 50  $\mu$ A), 0.44 V max (IOL = 2.5 mA)

**Output current:**  $\pm$ 2.5 mA max

### External Clock Input/Output

**Terminal names:** ICLKI, ICLKO, OCLKI, OCLKO

**Terminal types**

xCLKI: Input, active on rising edge

xCLKO: Output, power on default is 0 V, active on rising edge

**Terminal descriptions**

xCLKI: Receives sampling clock from external source

xCLKO: Outputs the internal input scan or internal output scan clock, or the pulse generated from xCLKI when in external clock mode.

**Input clock rate**

USB-1808: 125 kHz

USB-1808X: 500 kHz

**Clock pulse width**

xCLKI: 400 ns min

xCLKO: 400 ns min

**Input type:** Schmitt trigger, 33  $\Omega$  series resistor, 47 k $\Omega$  pull-down to ground

**Schmitt trigger hysteresis:** 0.4 V to 1.2 V

**Input high voltage:** 2.2 V min, 5.5 V absolute max

**Input low voltage:** 1.5 V max, -0.5 V absolute min, 0 V recommended min

**Output high voltage:** 4.4 V min (IOH = -50  $\mu$ A); 3.76 V min (IOH = -2.5 mA)

**Output low voltage:** 0.1 V max (IOL = 50  $\mu$ A); 0.44 V max (IOL = 2.5 mA)

**Output current:**  $\pm$ 2.5 mA max

### External Trigger

**Trigger source:** ITRIG for inputs, OTRIG for outputs

**Trigger mode:** Software programmable for edge or level sensitive, rising or falling edge, high or low level. Power on default is edge sensitive, rising edge.

**Trigger latency:** 1  $\mu$ s + 1 clock cycle max

**Trigger pulse width:** 100 ns min

**Input type:** Schmitt trigger, 33  $\Omega$  series resistor and 49.9 k $\Omega$  pull-down to ground

**Schmitt trigger hysteresis:** 0.4 V to 1.2 V

**Input high voltage:** 2.2 V min, 5.5 V absolute max

**Input low voltage:** 1.5 V max, -0.5 V absolute min, 0 V recommended min

### Pattern Trigger

**Trigger source:** DIO0 – DIO3

**Trigger types:** Above pattern, Below pattern, Equal pattern, or Not equal pattern

**Trigger stability:** Digital port must be stable for 50 ns to be recognized as a pattern

**Trigger bit width:** Up to 4, adjustable through bitmask

**Trigger latency:** Up to 1 scan period

### Memory

**Data FIFO:** 4 kS analog input/2 kS analog output

**Non-volatile memory:** 32 KB (28 KB firmware storage, 4 KB calibration/user data)

### Power

**Supply current (quiescent current):** 305 mA

This is the total quiescent current requirement for the device that includes up to 10 mA for the status LED. This does not include any potential loading of the digital I/O bits, +VO terminal, or the AOUTx outputs.

**+VO user output voltage range:** 4.5 V min to 5.25 V max

The +4.5 V min limit includes the +VO 10 mA load, it does not include any potential loading of the digital I/O bits or the AOUTx outputs

**+VO user output current:** 10 mA max

### USB

**USB device type:** USB 2.0 (high-speed)

**Device compatibility:** USB 1.1, USB 2.0, USB 3.0

**USB cable type:** A-B cable, UL type AWM 2725 or equivalent  
(Min 24 AWG VBUS/GND, min 28 AWG D+/D-)

**USB cable length:** 3 m (9.84 ft) max

### Environmental

**Operating temperature range:** 0  $^{\circ}$ C to 55  $^{\circ}$ C max

**Storage temperature range:** -40  $^{\circ}$ C to 85  $^{\circ}$ C max

**Humidity:** 0% to 90% non-condensing max

### Mechanical

**Signal I/O Connector**

**Standard:** 2 banks of screw-terminals (wire gauge range 16 AWG to 30 AWG)

**OEM:** Two 1  $\times$  28 pin 0.1 in. pitch headers

**Dimensions (L  $\times$  W  $\times$  H)**

**Standard:** 127  $\times$  89.9  $\times$  35.6 mm (5.00  $\times$  3.53  $\times$  1.40 in.)

**OEM:** 119.38  $\times$  86.36  $\times$  1.57 (4.7  $\times$  3.4  $\times$  0.062 in.)

**User connection length:** 3 m (9.84 ft) max

## Order Information

### Hardware

Part No.	Description
USB-1808	18-bit, eight-channel, 50 kS/s per channel simultaneous-sampling DAQ device with two analog outputs, four digital I/O lines, two 32-bit counter inputs, two quadrature encoder inputs, and two timer outputs. Includes a USB cable and MCC DAQ software.
USB-1808X	18-bit, eight-channel, 200 kS/s per channel simultaneous-sampling DAQ device with two analog outputs, four digital I/O lines, two 32-bit counter inputs, two quadrature encoder inputs, and two timer outputs. Includes a USB cable and MCC DAQ software.
USB-1808-OEM	Board-only 18-bit, eight-channel, 50 kS/s per channel simultaneous-sampling DAQ device with two analog outputs, four digital I/O lines, two 32-bit counter inputs, two quadrature encoder inputs, and two timer outputs.
USB-1808X-OEM	Board-only 18-bit, eight-channel, 200 kS/s per channel simultaneous-sampling DAQ device with two analog outputs, four digital I/O lines, two 32-bit counter inputs, two quadrature encoder inputs, and two timer outputs.

### Software also Available from MCC

DAQami	Data acquisition companion software for acquiring data and generating signals
TracerDAQ Pro	Out-of-the-box virtual instrument suite with strip chart, oscilloscope, function generator, and rate generator – professional version
DASYLab	Icon-based data acquisition, graphics, control, and analysis software